

# Saturn Wheelchair Swing



# Description

One-person gondola swing intended only for wheelchair user and to be installed only for monitored areas. The swing is equipped with a five-elements Safety System INTEGRADO.

- 1 - The Lock System prevents the use of the swing by unauthorized persons
- 2 - The skid stabilizes the entry of wheelchair into the swing
- 3 - Upper shock absorber protects against excessive movement of the swing
- 4 - The hoop blocks the ramp opening while swinging
- 5 - Bumpers protect persons approaching the swing in the gondola's movement area.

The user can independently set the swing in motion or stop it by using ropes. The swing can be equipped with a key lock preventing unauthorized use. To close the entrance, pull the ramp with the side chains and block it with the handrail. To open the closed gondola you need to lift the rim blocking the ramp. The truck is immobilized using a brake. The swing gondola has rubber bumpers located on both sides.

For a safety reasons, the fence system separating the swing, key lock system and information board are recommended to be installed.

# Product Details

- Dimensions: 2,87 x 1,89 x 2,66m
- Safety area: 7,00 x 2,55m
- Free fall height: 1,13 m
- Certificate confirming compatibility with norm EN 1176

# Included

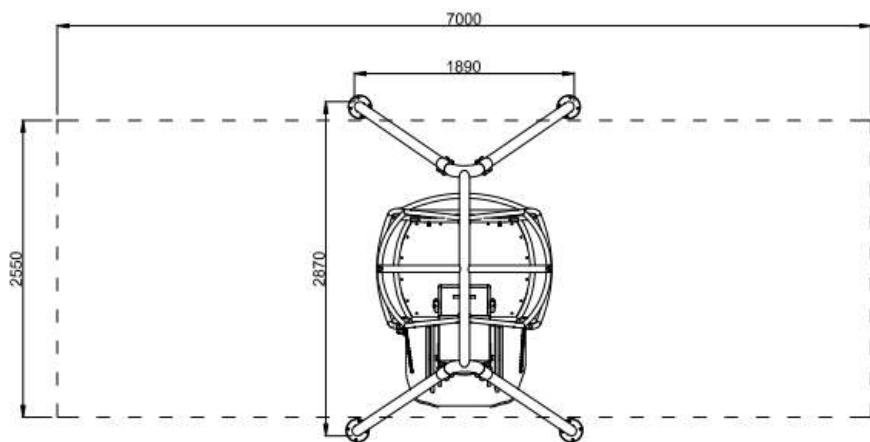
- 1x frame with 4 legs
- 1x gondola with 2 ropes to move the swing
- 1x entrance ramp
- 3x shock absorber
- 2x gas spring

# Materials

Metal pipes: 42,40 x 2,00 mm, 38,00 x 2,00 mm, 60,30 x 2,60 mm, 88,90 x 2,70 mm with profile 40,00 x 27,00 x 2,00 mm. The legs for the swing: 88,90 x 2,00 mm. Platform: aluminium plate 3,00 mm. Rope 16mm with the plastic ending.

All images are for illustration purpose only and may vary from the actual product.

# Safety Area



Scale: 1:50

--- SAFETY AREA



# Certificate



Product Service

## CERTIFICATE

No. Z2 059417 0044 Rev. 00

**Holder of Certificate:** Gold-Mark

Buk 29  
72-003 Dobra  
POLAND

**Production Facility(ies):** 059417

**Certification Mark:**



**Product:** Swings  
**Model(s):** Wheelchair swing 1611

**Parameters:** Model: dimensions (L x W x H); safety area  
1611: 2.87 x 1.89 x 2.66 m; 2.55 x 7.00 m  
Material: steel, plastic, plastic component materials;

Only for monitored area.  
EN 1176-1:2017  
EN 1176-2:2017

**Tested according to:**

The product was tested on a voluntary basis and complies with the essential requirements. The certification mark shown above can be affixed on the product. It is not permitted to alter the certification mark in any way. In addition the certification holder must not transfer the certificate to third parties. See also notes overleaf.

**Test report no.:** 713164792-5  
**Valid until:** 2024-07-21

**Date,** 2019-07-31

( Tobias Hofmann )

ZERTIFIKAT ◆ CERTIFICATE ◆ 認證證書 ◆ CERTIFICADO ◆ CERTIFICAT



---

ENRICHING LIVES THROUGH CREATING INCLUSION WITH  
PLAYGROUND EQUIPMENT

---

Intre-stone Ltd  
Fosters Yard  
Station Road  
Langworth  
Lincoln  
LN3 5BD

GET IN TOUCH

01522 420091  
[enquiries@intrestone.co.uk](mailto:enquiries@intrestone.co.uk)  
[www.ambrestone.co.uk](http://www.ambrestone.co.uk)